

**Part III
Attachment III-C
Appendix III-C.2**

FACILITY SURFACE WATER DRAINAGE DRAWINGS

**Pescadito Environmental Resource Center
MSW No. 2374
Webb County, Texas**

PESCADITO
ENVIRONMENTAL RESOURCE CENTER

**Initial Submittal March 2015
Supplement April 2015
Revised September 2015
Revised August 2016**

**Prepared for:
Rancho Viejo Waste Management, LLC
1116 Calle del Norte
Laredo, TX 78041**

**Prepared by:
CB&I Environmental and
Infrastructure, Inc.**



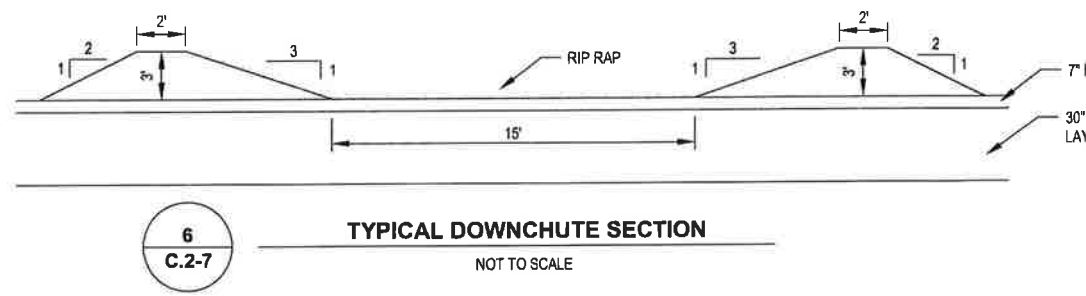
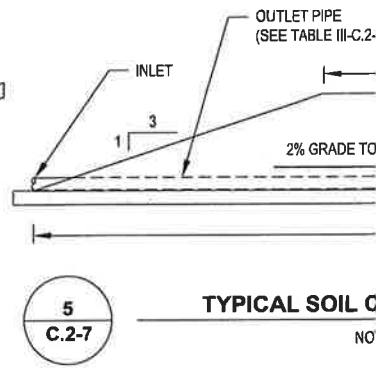
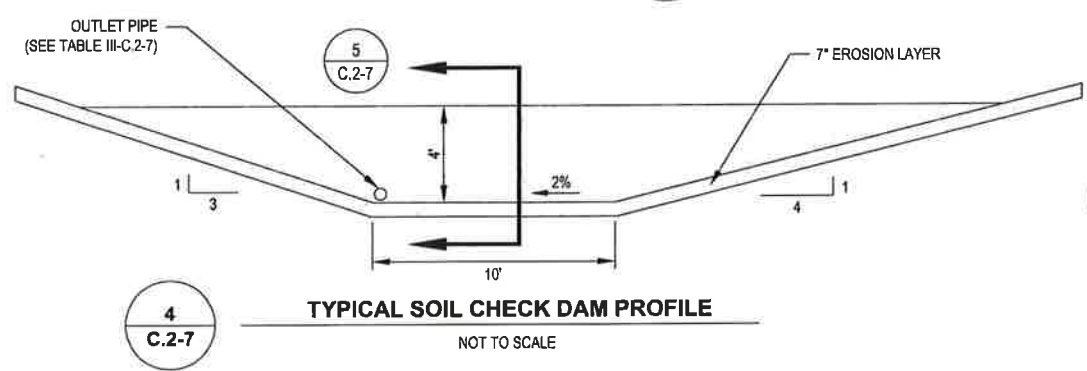
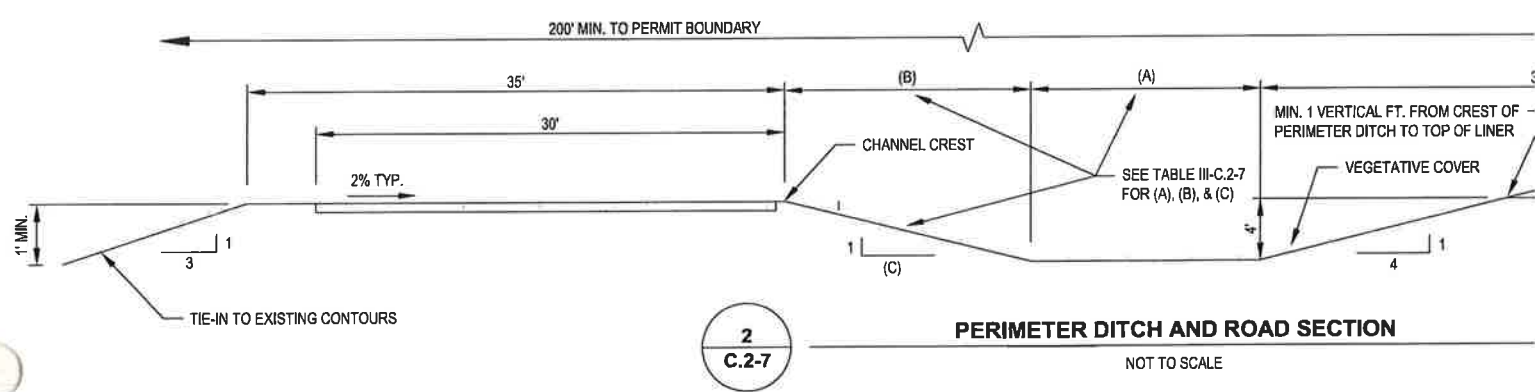
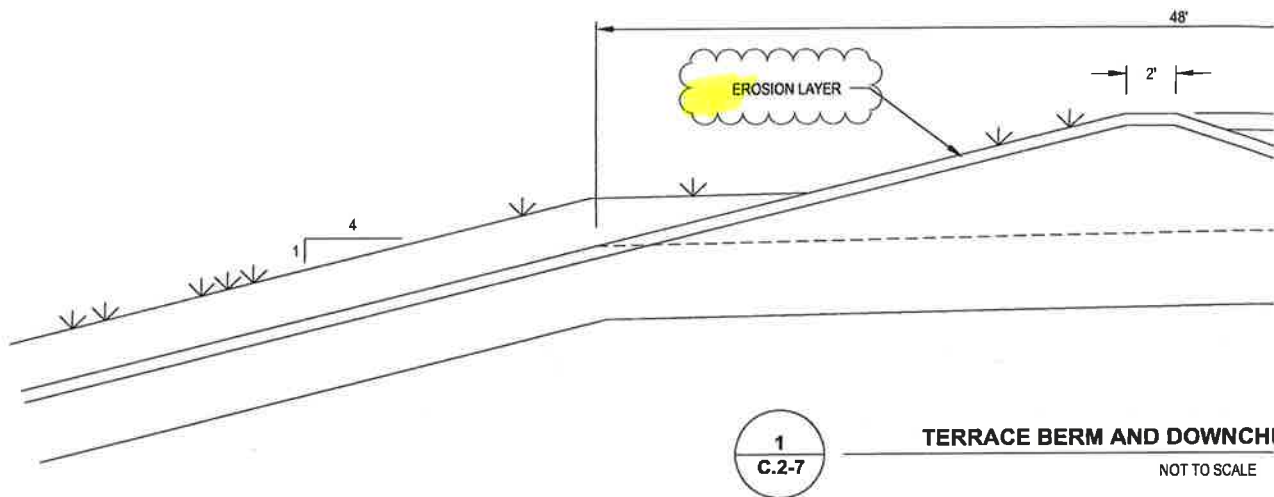
**12005 Ford Rd, Suite 600
Dallas, TX 75234**

This document is released for the purpose of permitting only under the authority of Michael W. Oden, P.E. #67165. It is not to be used for bidding or construction. Texas Registered Engineering Firm F-5650

Table of Contents

III-C.2-1	Pre-Development Conditions – Regional Overview	1
III-C.2-2	Pre-Development Conditions – Facility and Immediate Surroundings	2
III-C.2-3	Intermediate Development Conditions – Regional Overview	3
III-C.2-4	Intermediate Development Conditions – Facility and Immediate Surroundings	4
III-C.2-5	Post-Development Conditions – Facility and Immediate Surroundings	5
III-C.2-6	Post-Development Stormwater Feature Overview	6
III-C.2-7	Terrace Berm, Downchute, and Perimeter Channel Details	7
III-C.2-8	Perimeter Channel Culvert Details	8
III-C.2-9	Perimeter Channel Drainage Profiles (A and B).....	9
III-C.2-10	Perimeter Channel Drainage Profiles (C, D, E and F).....	10
III-C.2-11	Detention Basin Plan, Profile and Details (1 of 2).....	11
III-C.2-12	Detention Basin Plan, Profile, and Details (2 of 2).....	12
III-C.2-13	Erosion Control Details	13
III-C.2-14	100-Year Floodplain Cross Section Plan View	14
III-C.2-15	100-Year Floodplain Cross Section Profile View.....	15

This document is released for the purpose of permitting only under the authority of Michael W. Oden, P.E. #67165. It is not to be used for bidding or construction. Texas Registered Engineering Firm F-5650



REV. NO.	DATE	DESCRIPTION
2	8/2016	REVISED FINAL COVER NOTATION
1	9/2015	NOD 1



CB&I Environmental & Infrastructure, Inc.
TBPE FIRM F-5650

CB&I Environmental and Infrastructure, Inc. has prepared this document for a specific project or purpose. All information contained within this document is copyrighted and remains intellectual property of CB&I Environmental and Infrastructure, Inc. This document may not be used or copied, in part or in whole, for any reason without expressed written consent by CB&I Environmental and Infrastructure, Inc.

